

Arbiton
FLOOR EXPERT

FLOOR PROFILES



PART OF DECORA GROUP



**WE CREATE
WE TEST
WE PRODUCE**

Innovation, quality and know-how. Since 1994 we've been investing in knowledge, technology and our machinery park.

We aim to become market LEADER wherever we are present. We are pushing forward and strive for more to deliver accessories perfectly matched to the products.



TECHNOLOGY

Our inhouse laboratory is testing hundreds of floors from all major manufacturers to improve our accessories and create a functional flooring system. That's why we know the strongest and weakest points of all types of floors. We are also testing our underlays to deliver top quality solutions for different floor types.

DESIGN

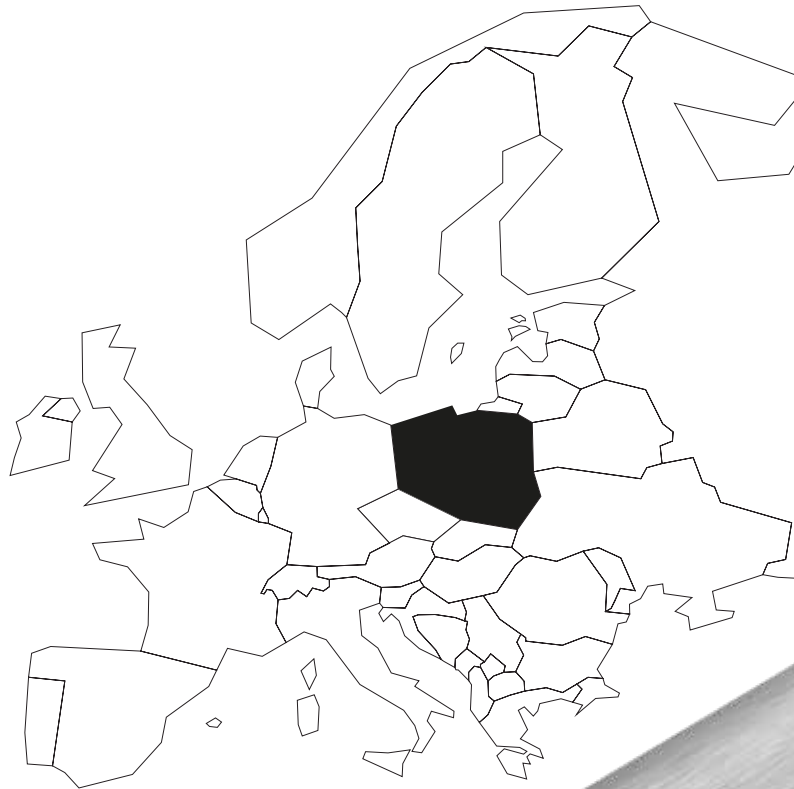
Every year A.DESIGN STUDIO analyzes trends, changes in consumer preferences and hundreds of new floor colors. That's why we can create customer orientated solutions and stay relevant.

INNOVATION

We are an European leader in the production of floor accessories. We offer advanced and innovative products. We are pushing the flooring industrie forwards for the more effective, ecological and durable solution.



MADE IN EUROPE



SYSTEM PROFILES

COLOR SYSTEM PROFILES

Four universal shapes and 35 colors matched for the most popular floors and Arbiton skirting boards.



	Width	Wood	Anode	Inox	Screw fix	Glue fix	Max dilatation	Max leveling	Page
CS30	30 mm	+	+	-	+	+	24 mm	6 mm	14
CS37	37 mm	+	+	-	+	+	31 mm	17 mm	16
CS22	22 mm	+	+	-	-	+	16 mm	-	18
CS25	25 mm	+	+	-	-	+	20 mm	-	20

PRO SYSTEM PROFILES


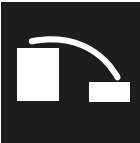

Precise, minimalistic solution for professionals, 8 shapes correspond to 99% of needs.



	Width	Wood	Anode	Inox	Screw fix	Glue fix	Max dilatation	Max leveling	Page
PRO20	20 mm	-	-	+	-	+	10 mm	-	24
PRO T	22 mm	-	-	+	-	+	16 mm	-	25
PRODUO22	22 mm	-	-	+	+	+	16 mm	-	26
PRO26	26 mm	-	-	+	-	+	10 mm	6 mm	27
PRO38	38 mm	-	-	+	-	+	32 mm	16 mm	28
PRODUO38	38 mm	-	-	+	+	+	32 mm	16 mm	29
PRO L	15/20 mm	-	-	+	-	+	15 mm	-	30
PRO S1	5,5 mm	-	-	+	+	+	-	-	32
PRO S2	12/4,5 mm	-	-	+	+	+	-	-	33

COMPLEMENTARY OFFER

Traditional shapes, proven solutions.

	Width	Wood	Anode	Inox	Screw fix	Glue fix	Max dilatation	Max leveling	Page	
FOR THE FLOORS AT THE SAME LEVEL										
	T16	16 mm	-	+	-	-	+	10 mm	-	36
	SM1	30 mm	-	+	-	+	-	24 mm	-	37
	PR3	30 mm	-	+	-	+	-	24 mm	-	38
	PR8	38 mm	-	+	-	+	-	32 mm	10 mm	39
	PR3K	30 mm	-	+	-	-	+	24 mm	-	40
LEVELING PROFILE FOR MISMATCHING FLOORS										
	SM2	41 mm	-	+	-	+	-	35 mm	13 mm	41
	SM3	47 mm	-	+	-	+	-	41 mm	17 mm	42
	PR4	48 mm	-	+	-	+	-	42 mm	14 mm	43
	PR10	70 mm	-	+	-	+	-	64 mm	10 mm	44
STAIRS PROFILES										
	CS2	25 mm	-	+	-	-	+	-	-	44
	PS2	25 mm	-	+	-	+	-	-	-	46
	PS6	46 mm	-	+	-	+	-	-	-	47
	PS8	40 mm	-	+	-	+	-	-	-	48



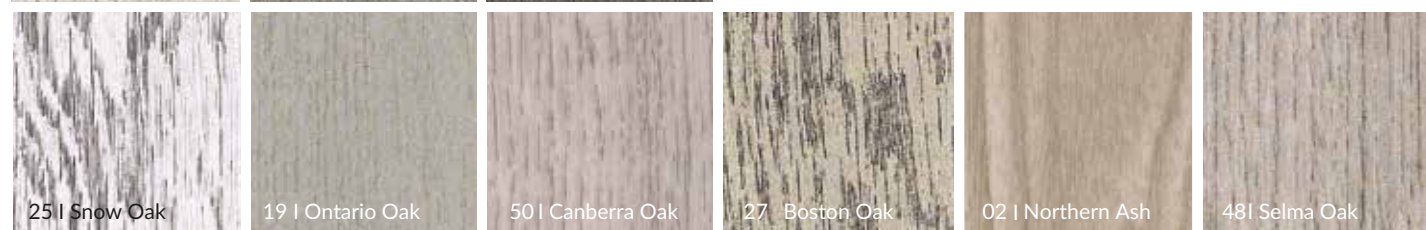
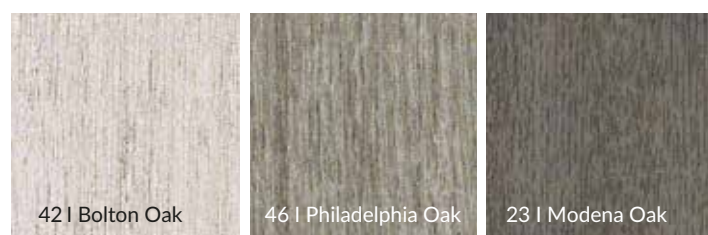
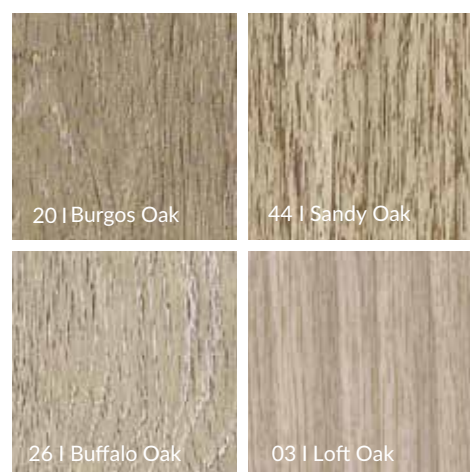
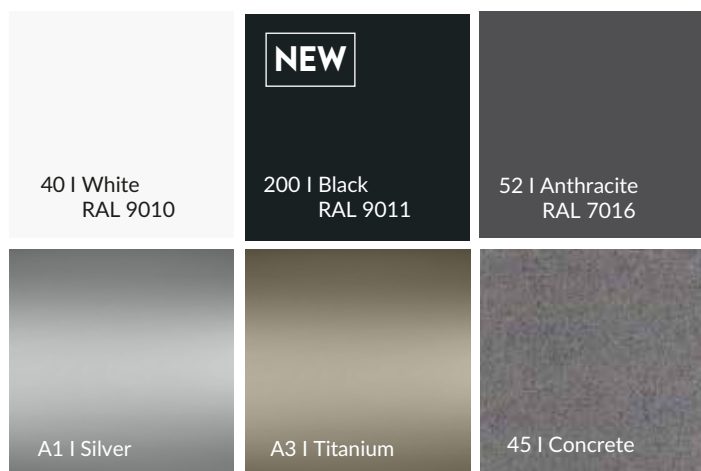
PERFECTLY MATCHED PROFILES AND SKIRTING BOARDS

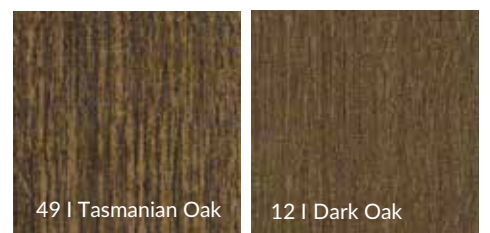
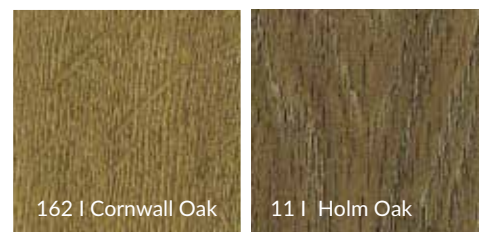
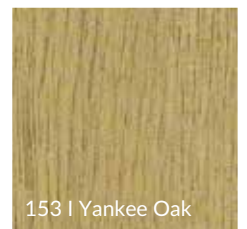
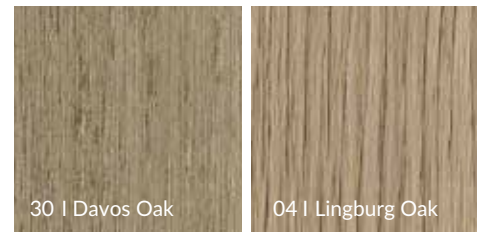
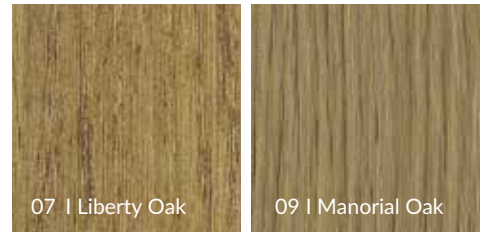
We are offering a range of 36 colors matched to the best-selling laminated panels and vinyl click floors in COLOR SYSTEM profiles collection, created to fulfill DIY customer needs.

The offer is directed to self-service points and professionals looking for exact match of floor and accessories.

COLOR SYSTEM is the certainty of a valuable choice. The one, that has never been so simple.

Now you can choose a skirting boards and profile in the same color.





Profiles from COLOR SYSTEM collection are matched to all skirting boards from the INDO, LARS, MACK and VIGO collections

COLOR SYSTEM

PERFECT MATCH

INDO

PERFECTLY
RESEMBLING
THE REAL
WOOD



LARS

THE IDEAL
COLOUR
AND DESIGN
MATCH

MACK

WIDE
INSTALLATION
CHANNEL



VIGO

HYBRID
SKIRTING

SKIRTING BOARDS COLORS CORRESPONDING TO PROFILES COLORS

PROFILCS	INDO	LARS	MACK	VIGO 60
2	44			22
3	3, 42	3, 42	3	107
4	4	4	4	184
7	110		132	110
9	10	46	46	163
11	11			174
12	132	12	132	12
19	19	25	107	102
20	20			
23	23			16
25				25
26	180, 187, 191		25, 138, 16	180, 187, 191
27	2	2	2	112
29		9		
30				
31	5			
39		32		
40	1, 40	40	40	1
42	25		25	25
44	138		138	
45	133			3
46	41		41	177
47				154
48	135	50	25	188
49	140			
50	135	137	2	16
52				4
65	9			
66				
153	153		153	173
158	158, 42		158, 42	158, 173
159				159, 160, 161
162	10		46	162
A1	41			2

FOUR GROUPS OF PROFILES TO ANSWER DIFFERENT PURPOSES



DILATATION PROFILES FLOOR AT THE SAME LEVEL

They are used to connect floors at the same level. You can connect with them any type of floor, e.g. vinyl click floors with a ceramic tiles. A wide range of colors allows you to match color to any floors. You can also choose a profile in silver or titanium.



LEVELING PROFILES FLOORS AT DIFFERENT LEVELS

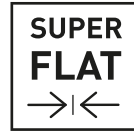
They are used to connect floors with different level. The differences are usually small, several milimetres, however, to aesthetically eliminate them it is necessary to choose the right profile.

SYMBOLS



MAX DILATATION: __MM

This information shows maximum gap between floors, that particular profile can cover. For floor dilatation – look floor producers recommendations.



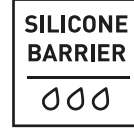
SUPER FLAT

From designer's point of view, best profile is the flattest and smoothest one. Arbiton delivers new, extra flat solution, perfect even for the most demanding clients.



MAX LEVELING: __MM

This information shows maximum height difference between floors, that particular profile can cover. When calculating the height, always count the whole flooring system – floor + underlay/glue.



SILICONE BARRIER

Silicone layer added to all Arbiton screw fix profiles, to protect against dirt getting under the profile.



FINISHING PROFILES

They are used to finish the floors, mask the dilatation gap, in places where it is not covered eg by skirting board. Ideal to finish the floor next to balcony doors or entrances.



STAIRS PROFILES

They are used to finish the edges of stairs. Some profiles of this type have an additional layer non-slip layer to ensure additional walking safety.



PROFI SOLUTION

Profiles for the most demanding clients. Professional assembly systems, narrow and extra flat solutions.

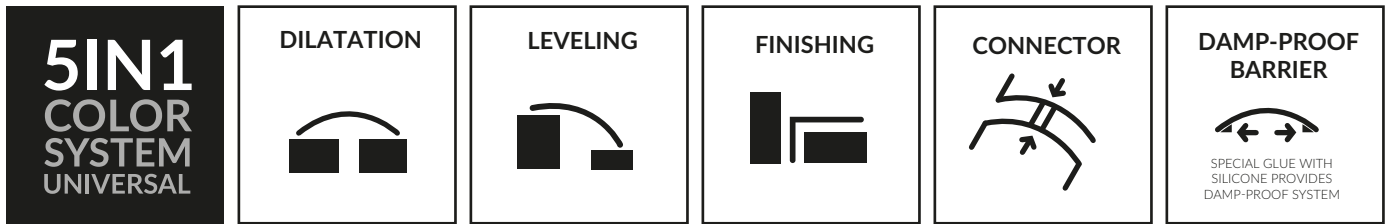


DILATATION GLUE

Special hot melt glue formula. Floor profile stays strongly fitted but allows the floor to expand and contract.

COLOR SYSTEM

THE MOST UNIVERSAL SYSTEM OF FLOOR PROFILES



CS30



CS37



CS22



CS25



ADDITIONAL ACCESSORIES INCLUDED WITH CS37 AND CS30

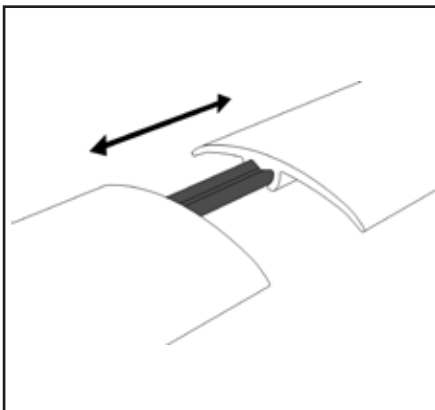
MOUNTING DOWELS

- Quick and safe assembly



CONNECTOR

- To connect two or more profiles
- Simple installation
- Bigger stability of the profile connection



BRIDGE

- The bridge allows to finish the floor next to the wall or balcony doors
- Stable support of the profile next to the wall
- Adjustable height- possibility to match up to 4-22 mm by cutting the bridge
- Quick and simple installation – just slide the bridge into the profile



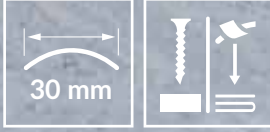
CS30



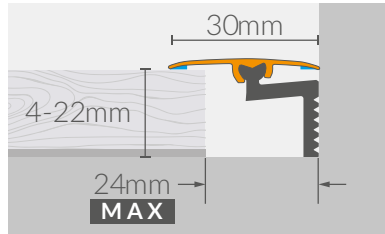
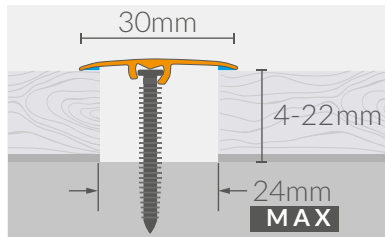
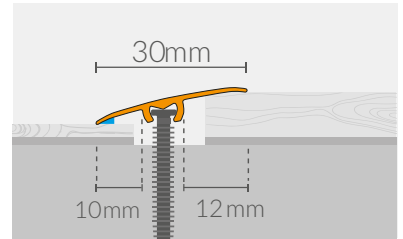
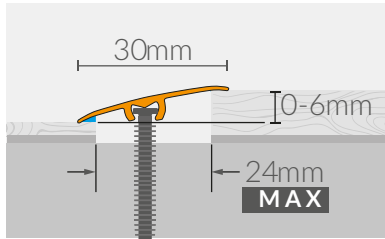
MAX
DILATATION
24 mm

MAX
LEVELING
6 mm

5IN1
COLOR
SYSTEM
UNIVERSAL



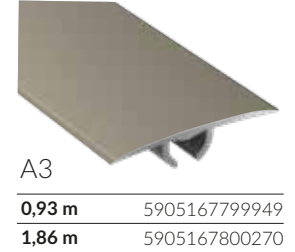
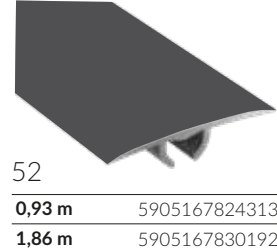
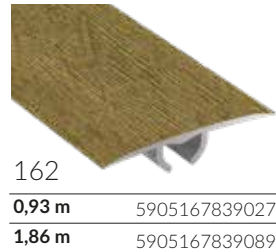
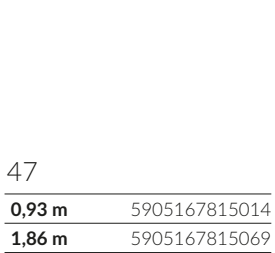
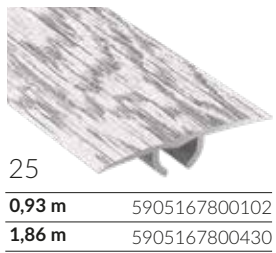
DIMENSIONS



NEW

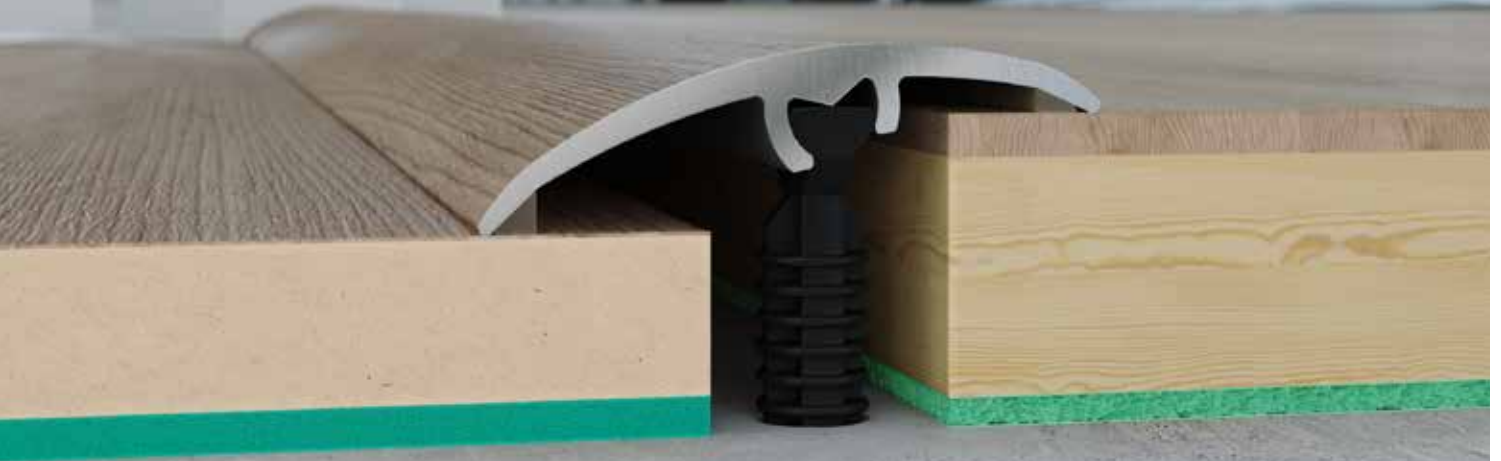
200

0,93 m	5905167876558
1,86 m	5905167876565



 0,93 m - 12 pcs. / 1,86 m - 6 pcs.

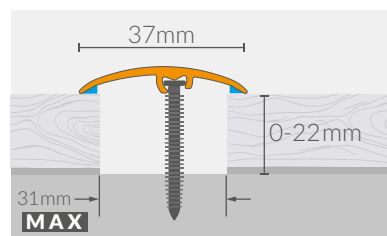
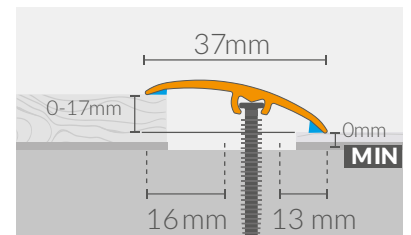
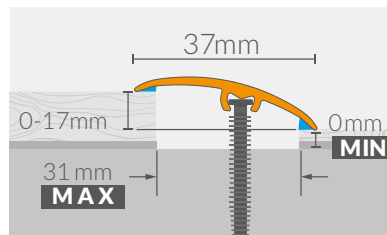
CS37



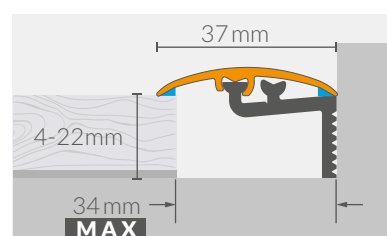
MAX DILATATION 31 mm	MAX LEVELING 17 mm	5IN1 COLOR SYSTEM UNIVERSAL
-----------------------------------	---------------------------------	---

37 mm	
-------	--

DIMENSIONS



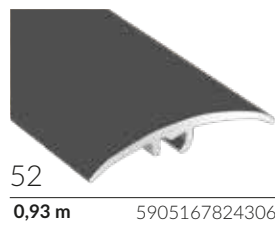
200
0,93 m 5905167876572
1,86 m 5905167876589




EXTRA COLOR



A2
0,93 m 5905167769256



 0,93 m - 12 pcs.

CS22

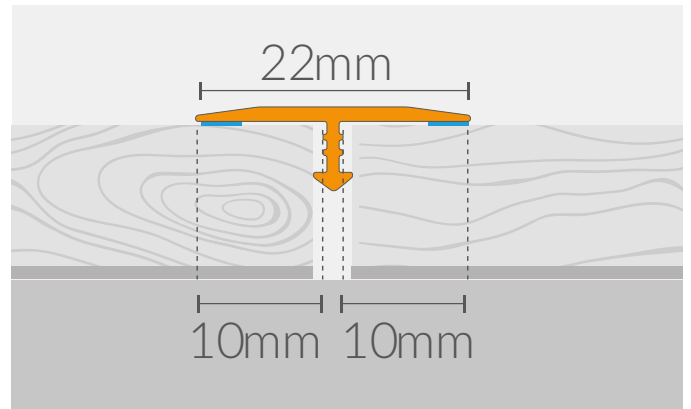
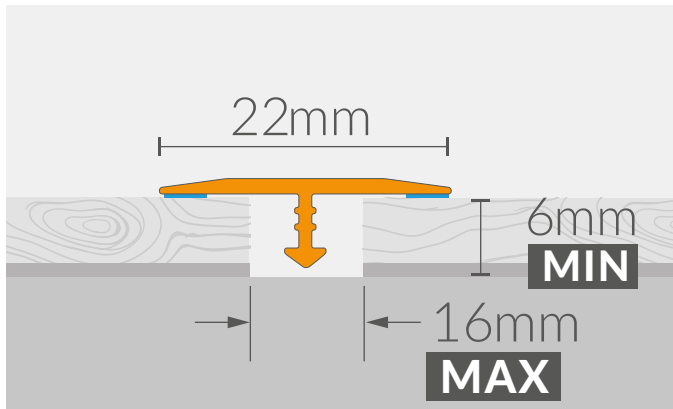


MAX
DILATATION
16 mm

22 mm

GLUE FIX

DIMENSIONS



200

1,86 m

5905167876596



2
1,86 m 5905167815519



3
1,86 m 5905167815526



4
1,86 m 5905167815533



7
1,86 m 5905167815540



9
1,86 m 5905167815557



11
1,86 m 5905167815564



12
1,86 m 5905167815571



19
1,86 m 5905167815601



20
1,86 m 5905167815618



23
1,86 m 5905167815625



25
1,86 m 5905167815632



26
1,86 m 5905167815649



27
1,86 m 5905167815656



29
1,86 m 5905167815663



30
1,86 m 5905167815670



31
1,86 m 5905167815687



39
1,86 m 5905167815700



42
1,86 m 5905167816738



44
1,86 m 5905167816752



45
1,86 m 5905167816769



46
1,86 m 5905167816776



47
1,86 m 5905167816783



48
1,86 m 5905167816790



49
1,86 m 5905167816806



50
1,86 m 5905167816813



65
1,86 m 5905167839096



66
1,86 m 5905167839102



153
1,86 m 5905167839119



158
1,86 m 5905167839126



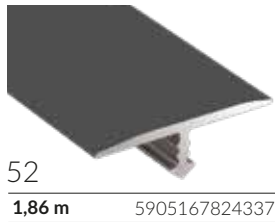
159
1,86 m 5905167839133



162
1,86 m 5905167839140



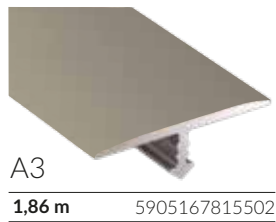
40
1,86 m 5905167815717




52
1,86 m 5905167824337



A1
1,86 m 5905167815496



A3
1,86 m 5905167815502

 1,86 m - 4 pcs.

CS25



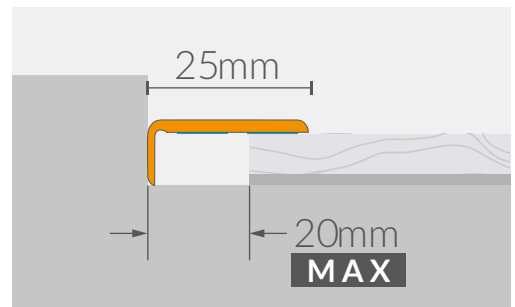
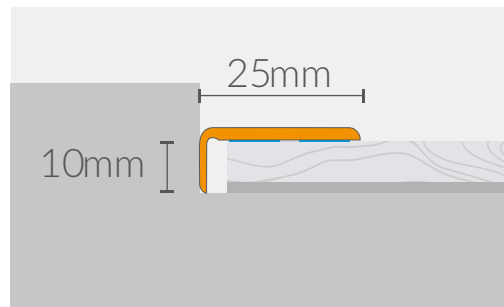
SILICONE
BARRIER
○○○

MAX
DILATATION
20 mm

25 mm

GLUE FIX

DIMENSIONS



200	
1,20 m	5905167876602
2,00 m	5905167876619



2
 1,20 m 5905167824368
 2,00 m 5905167824702



3
 1,20 m 5905167824375
 2,00 m 5905167824719



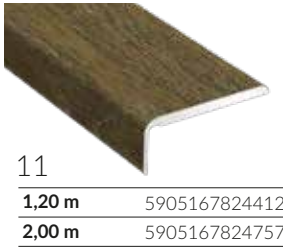
4
 1,20 m 5905167824382
 2,00 m 5905167824726



7
 1,20 m 5905167824399
 2,00 m 5905167824733



9
 1,20 m 5905167824405
 2,00 m 5905167824740



11
 1,20 m 5905167824412
 2,00 m 5905167824757



12
 1,20 m 5905167824429
 2,00 m 5905167824764



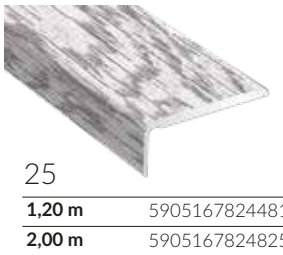
19
 1,20 m 5905167824450
 2,00 m 5905167824795



20
 1,20 m 5905167824467
 2,00 m 5905167824801



23
 1,20 m 5905167824474
 2,00 m 5905167824818



25
 1,20 m 5905167824481
 2,00 m 5905167824825



26
 1,20 m 5905167824498
 2,00 m 5905167824832



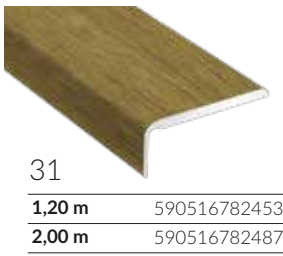
27
 1,20 m 5905167824504
 2,00 m 5905167824849



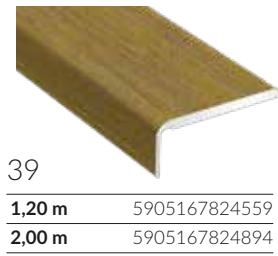
29
 1,20 m 5905167824511
 2,00 m 5905167824856



30
 1,20 m 5905167824528
 2,00 m 5905167824863



31
 1,20 m 5905167824535
 2,00 m 5905167824870



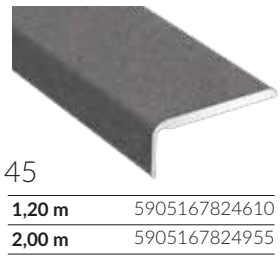
39
 1,20 m 5905167824559
 2,00 m 5905167824894



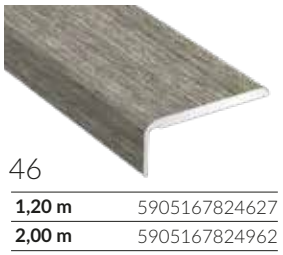
42
 1,20 m 5905167824580
 2,00 m 5905167824924



44
 1,20 m 5905167824603
 2,00 m 5905167824948



45
 1,20 m 5905167824610
 2,00 m 5905167824955



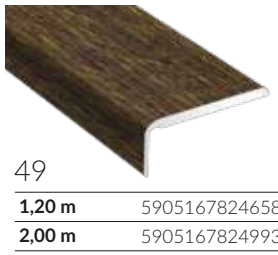
46
 1,20 m 5905167824627
 2,00 m 5905167824962



47
 1,20 m 5905167824634
 2,00 m 5905167824979



48
 1,20 m 5905167824641
 2,00 m 5905167824986



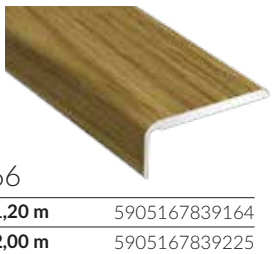
49
 1,20 m 5905167824658
 2,00 m 5905167824993



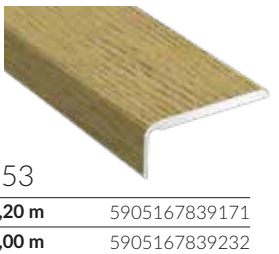
50
 1,20 m 5905167824665
 2,00 m 5905167825006



65
 1,20 m 5905167839157
 2,00 m 5905167839218



66
 1,20 m 5905167839164
 2,00 m 5905167839225



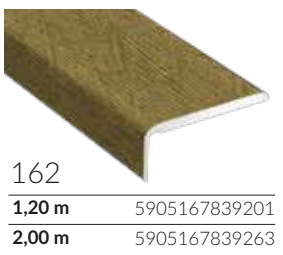
153
 1,20 m 5905167839171
 2,00 m 5905167839232



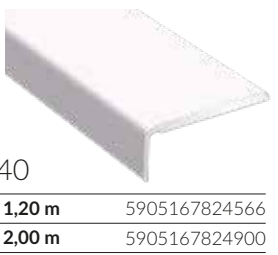
158
 1,20 m 5905167839188
 2,00 m 5905167839249



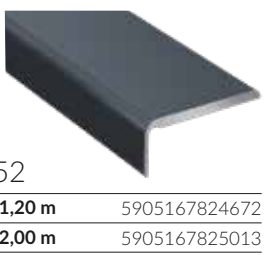
159
 1,20 m 5905167839195
 2,00 m 5905167839256



162
 1,20 m 5905167839201
 2,00 m 5905167839263



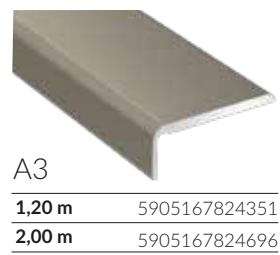
40
 1,20 m 5905167824566
 2,00 m 5905167824900



52
 1,20 m 5905167824672
 2,00 m 5905167825013



A1
 1,20 m 5905167824344
 2,00 m 5905167824689



A3
 1,20 m 5905167824351
 2,00 m 5905167824696

 1,2 m - 4 pcs. / 2,0 m - 4 pcs.

In PRO SYSTEM you will find the perfect masking of 10mm vinyl click floors dilatation or aesthetic connection of a hard floor with a carpet.



PRODUO38

PRO26

PRO20

PRO S1

PRO S2



▪ connecting floors with high level difference

PRO38

LEVELING
UP TO 16MM



- connection of the hard floor with carpets with a large difference in levels
- two-parts solid installation system
- assembly on glue or screws

PRODUO38

LEVELING
FLOORS



- finishing at the balcony door or furniture bases
- glue assembly

PRO L

FINISHING



PRO S

PERFECT FOR
VINYL FLOORS

PRO20



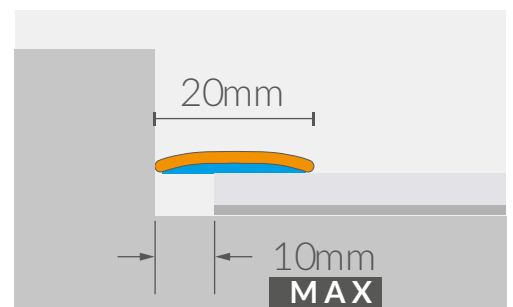
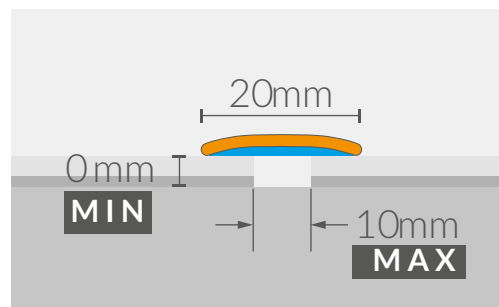
MAX
DILATATION
10 mm

PROFI
SOLUTION

20 mm

GLUE FIX

DIMENSIONS



COLORS



B1

0,93 m 5905167800911

1,86 m 5905167800942



B3

0,93 m 5905167800935

1,86 m 5905167800966

0,93 m - 12 pcs. / 1,86 m - 6 pcs.

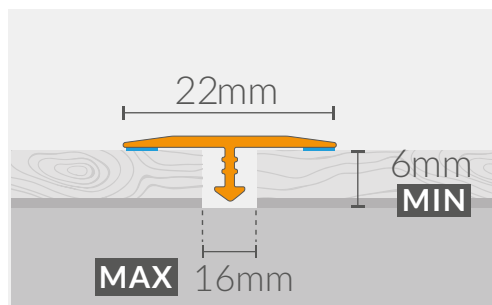
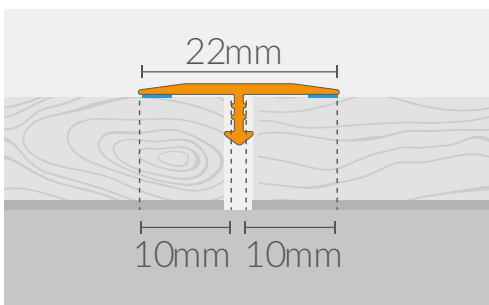
PRO T



MAX
DILATATION
16 mm



DIMENSIONS



COLORS



B1

0,93 m 5905167815458

1,86 m 5905167815472



B3

0,93 m 5905167815465

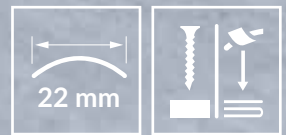
1,86 m 5905167815489

 0,93 m - 12 pcs. / 1,86 m - 6 pcs.

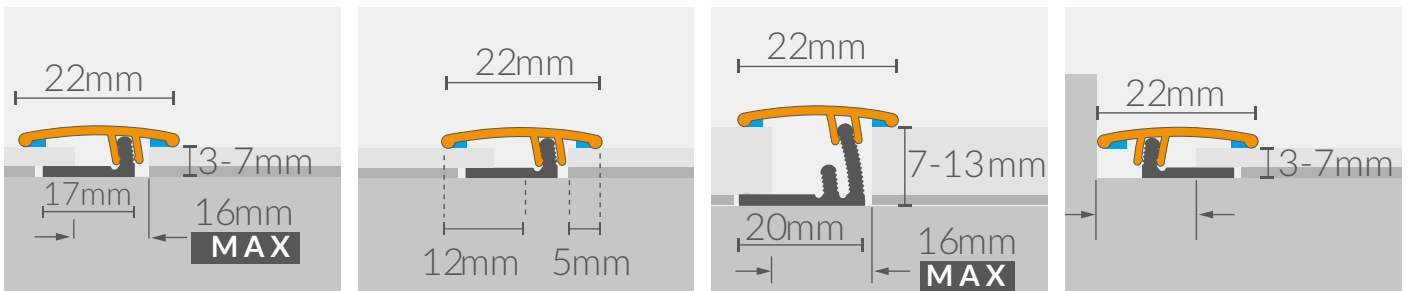
PRODUO22



MAX
DILATATION
16 mm



DIMENSIONS



COLORS



B1	
0,93 m	5905167815106
1,86 m	5905167815120



B3	
0,93 m	5905167815113
1,86 m	5905167815137

 0,93 m - 12 pcs. / 1,86 m - 6 pcs.

PRO26



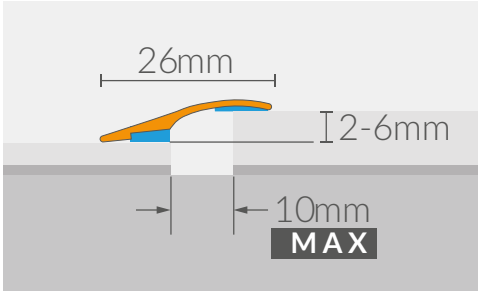
MAX
LEVELING
6 mm

MAX
DILATATION
10 mm

26 mm

GLUE FIX

DIMENSIONS



COLORS



B1	
0,93 m	5905167800973
1,86 m	5905167801000



B3	
0,93 m	5905167800997
1,86 m	5905167801024

0,93 m - 12 pcs. / 1,86 m - 6 pcs.

PRO38



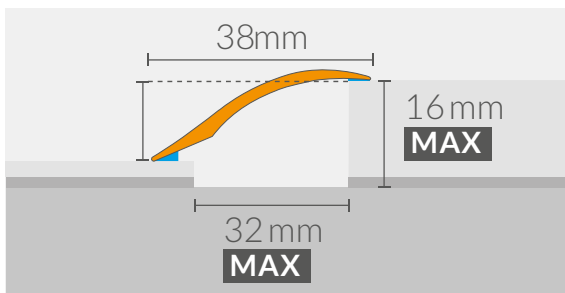
MAX
DILATATION
32 mm

MAX
LEVELING
16 mm

38 mm

GLUE FIX

DIMENSIONS



COLORS



B1

0,93 m 5905167825020


1,86 m 5905167825044



B3

0,93 m 5905167825037

1,86 m 5905167825051

 0,93 m - 12 pcs. 1,86 m - 6 pcs.

PRODUO38



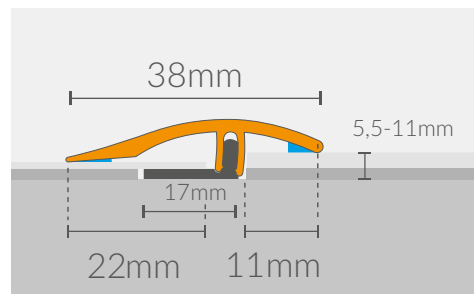
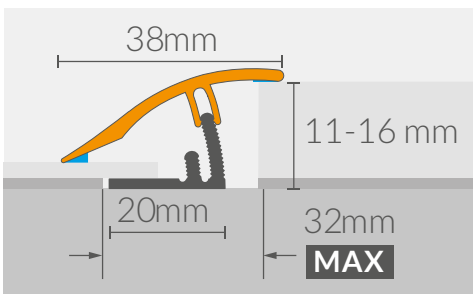
MAX
LEVELING
16 mm

MAX
DILATATION
32 mm

38 mm



DIMENSIONS



COLORS



B1

0,93 m 5905167815144


1,86 m 5905167801109



B3

0,93 m 5905167815151

1,86 m 5905167815168

 0,93 m - 12 pcs. 1,86 m - 6 pcs.

PRO L

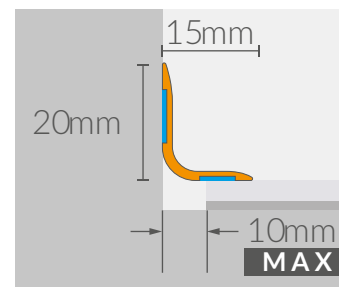
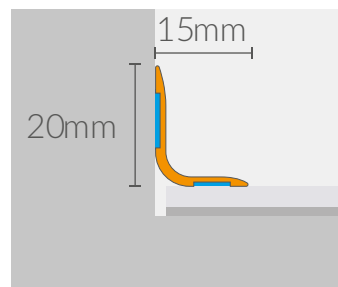
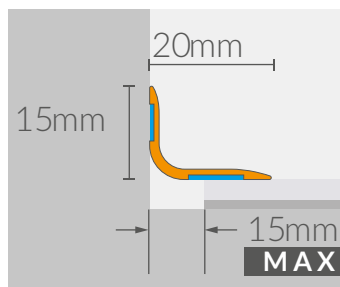
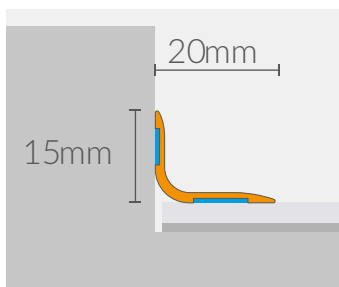


MAX
DILATATION
15 mm

20 mm

GLUE FIX

DIMENSIONS



COLORS



B1

0,93 m 5905167801048


1,86 m 5905167801031



B3

0,93 m 5905167801062

1,86 m 5905167801055

 0,93 m - 12 pcs. 1,86 m - 6 pcs.



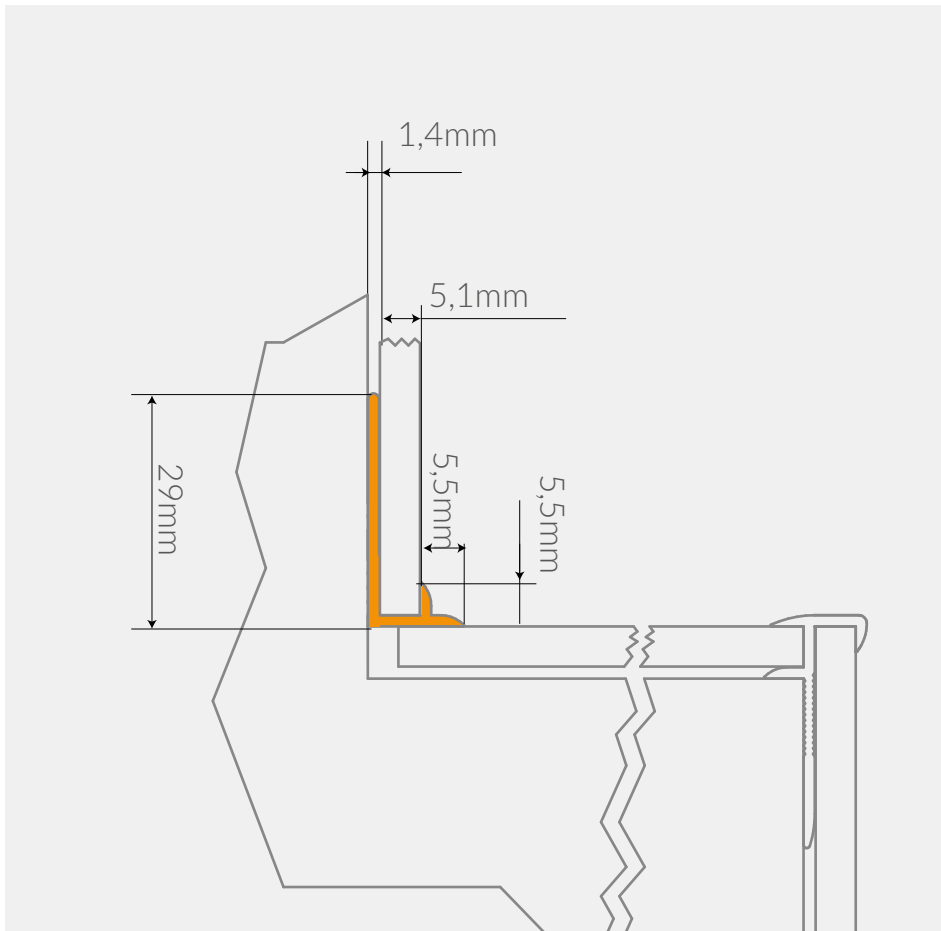
PRO S
PERFECT
FOR FINISHING STAIRS
WITH VINYL FLOORS



PRO S1 (INNER)



DIMENSIONS



COLORS



B1

2,00 m

5905167839270

12 pcs



B3

2,00 m

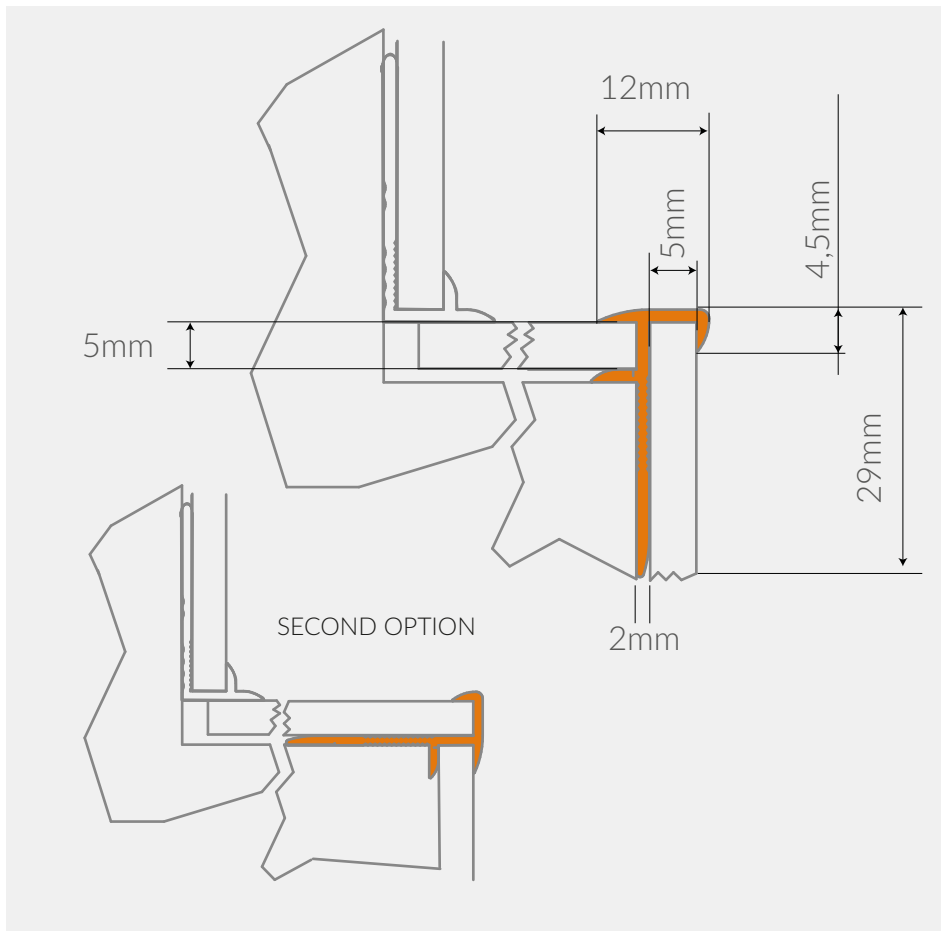
5905167839294

12 pcs

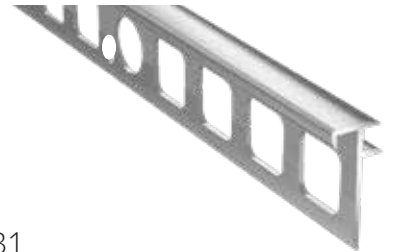
PRO S2 (OUTER)



DIMENSIONS



COLORS

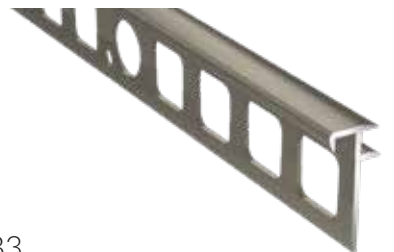


B1

2,00 m

5905167839287

12 pcs



B3

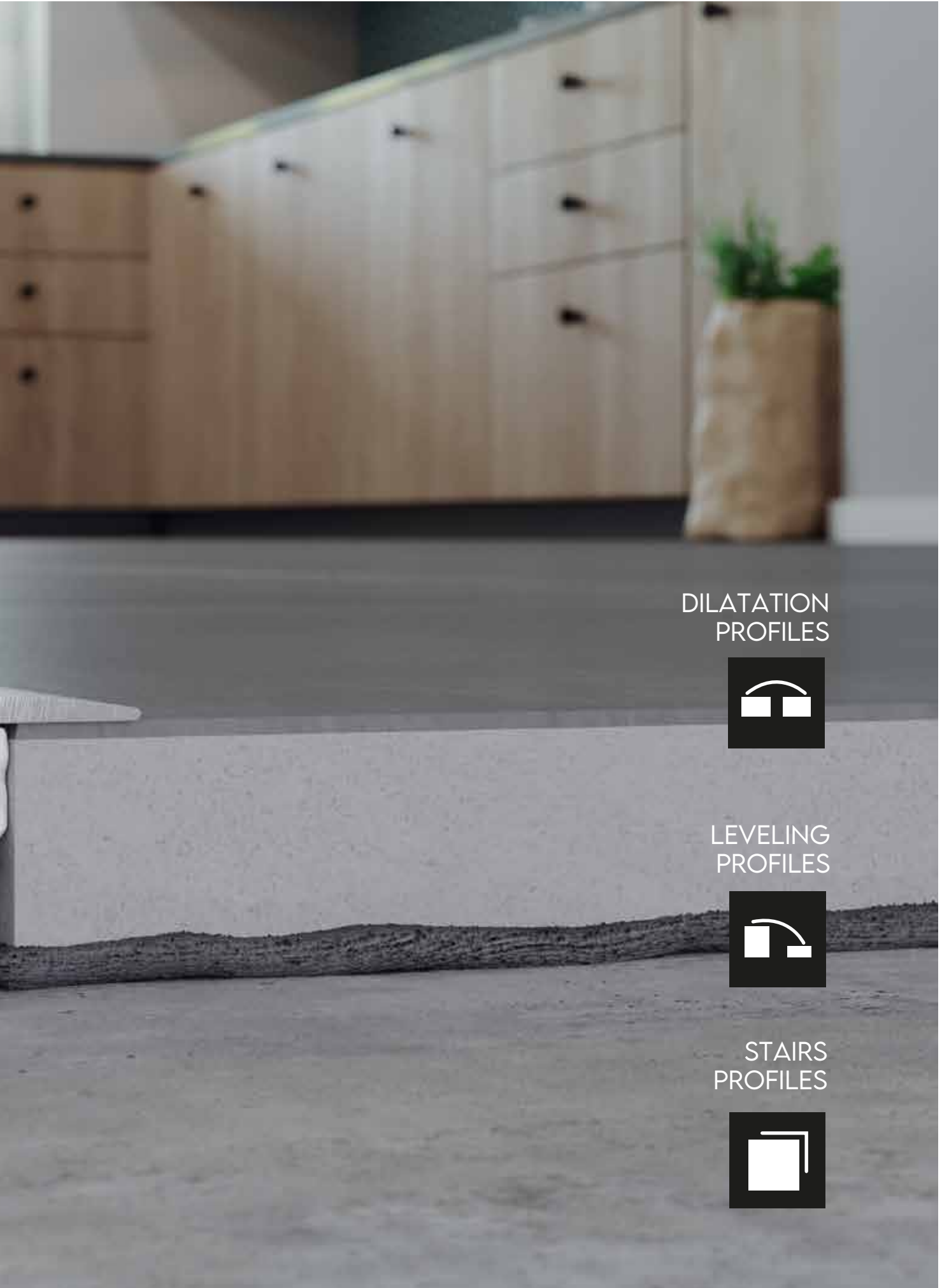
2,00 m

5905167839300

12 pcs



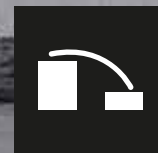
COMPLEMENTARY OFFER



DILATATION
PROFILES



LEVELING
PROFILES



STAIRS
PROFILES



T16

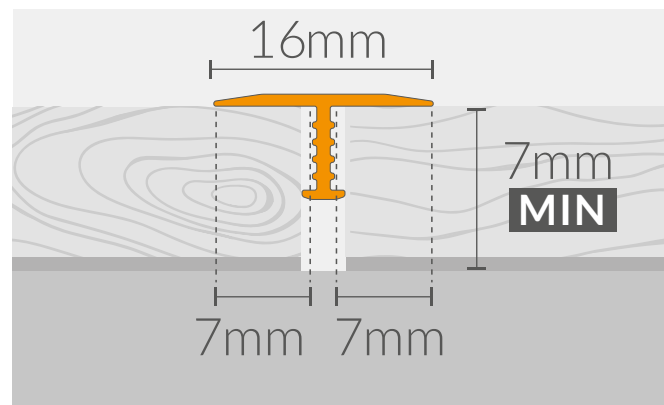
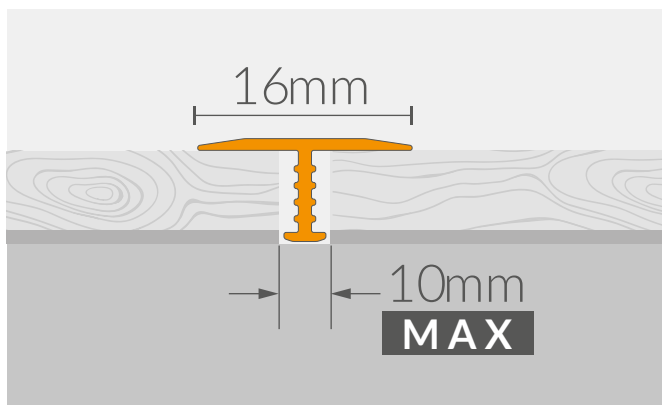


MAX
DILATATION
10 mm

16 mm

GLUE

DIMENSIONS



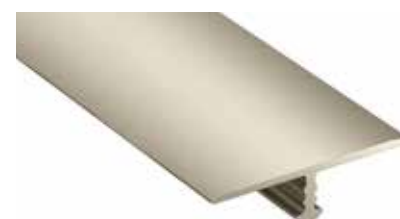
COLORS



A1
0,93 m 5905167768327
1,86 m 5905167768471



A2
0,93 m 5905167768334
1,86 m 5905167768488



A3
0,93 m 5905167768341
1,86 m 5905167768495

0,93 m - 12 pcs. / 1,86 m - 6 pcs.

SM1



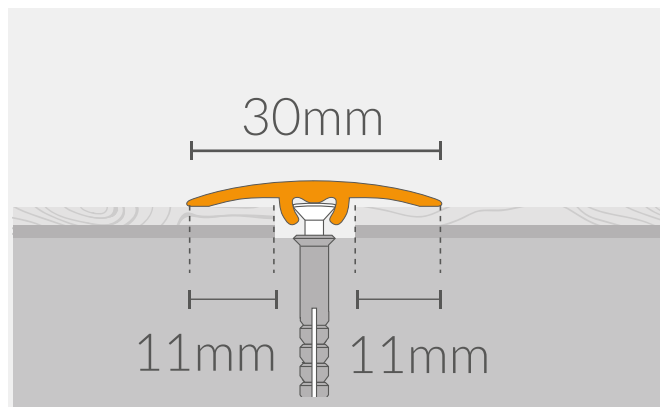
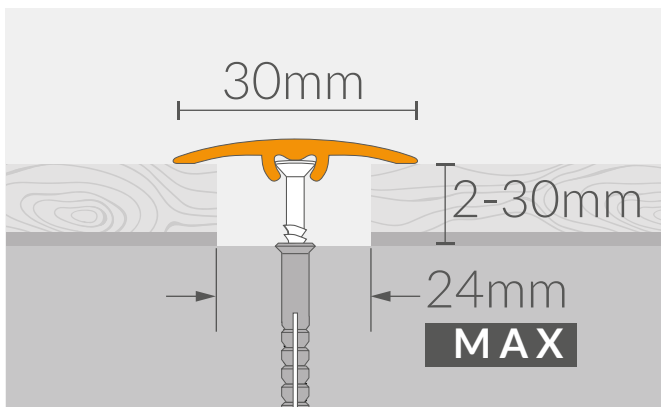
MAX
DILATATION
24 mm

SILICONE
BARRIER
○○○

30 mm

SCREW FIX

DIMENSIONS



COLORS



A1

0,93 m	5905167035818
1,86 m	5905167035610
2,79 m	5906735611823



A2

0,93 m	5905167035825
1,86 m	5905167035627
2,79 m	5906735611830



A3

0,93 m	5905167686317
1,86 m	5905167686324
2,79 m	5905167686331

0,93 m - 12 pcs. / 1,86 m - 4 pcs.

PR3



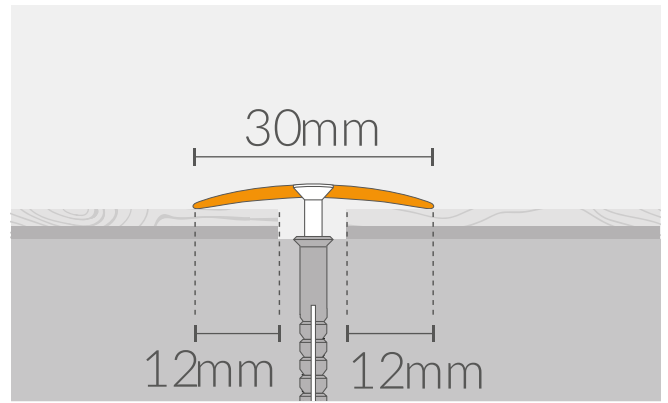
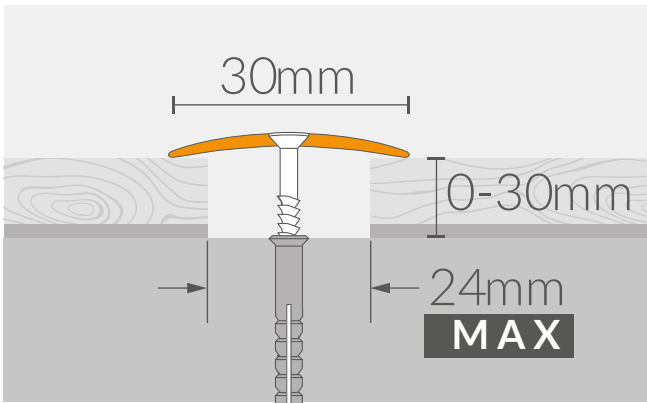
MAX
DILATATION
24 mm

SILICONE
BARRIER
○○○

30 mm

SCREW FIX

DIMENSIONS



COLORS



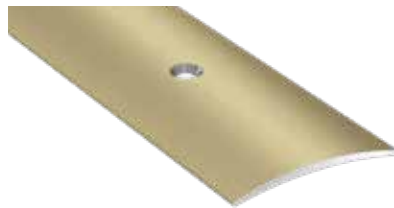
A1

0,93 m

5906735611175

1,86 m

5906735611205



A2

0,93 m

5906735611182

1,86 m

5906735611212



A3

0,93 m

5905167686515

1,86 m

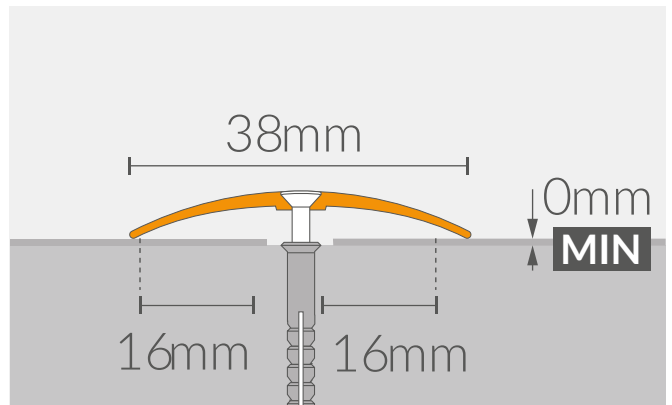
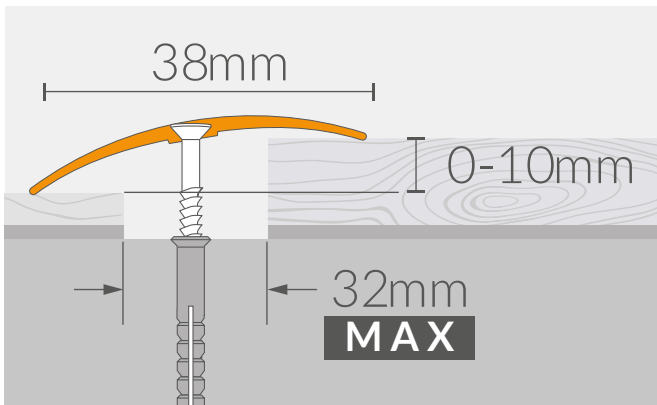
5905167686522

📦 0,93 m - 12 pcs. / 1,86 m - 4 pcs.

PR8



DIMENSIONS



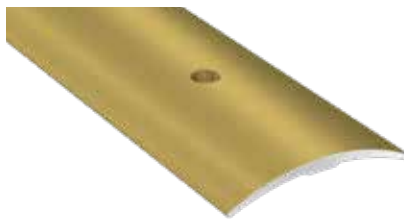
COLORS



A1

0,93 m 5905167767696

1,86 m 5905167767726



A2

0,93 m 5905167767702

1,86 m 5905167767733



A3

0,93 m 5905167767719

1,86 m 5905167767740

0,93 m - 12 pcs. / 1,86 m - 4 pcs.

PR3K

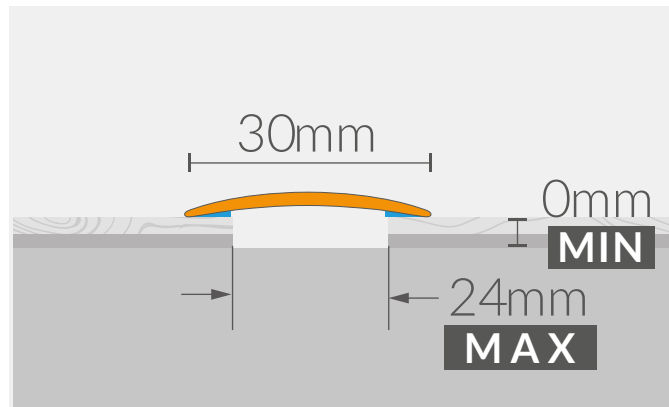
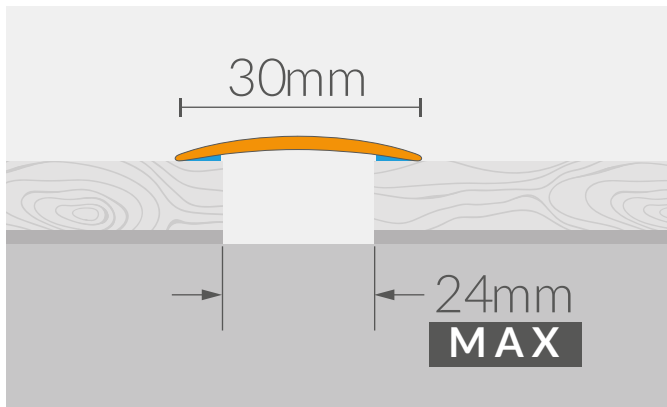


MAX
DILATATION
24 mm

30 mm

GLUE FIX

DIMENSIONS



COLORS



A1

0,93 m 5906735611267


1,86 m 5906735611298



A2

0,93 m 5905167689455

1,86 m 5905167689462

 0,93m: 12 pcs / 1,86m: 4 pcs

SM2



MAX
DILATATION
35 mm

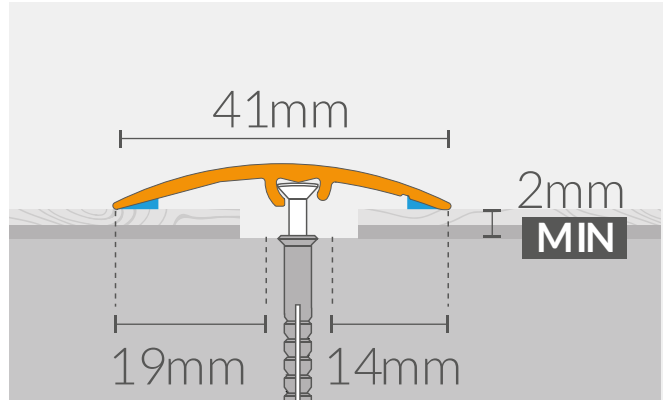
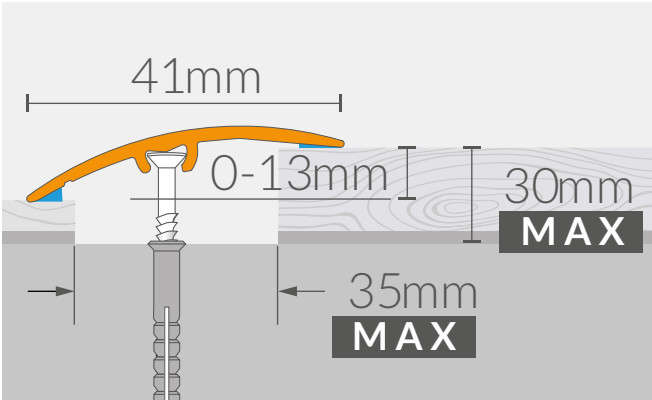
MAX
LEVELING
13 mm

SILICONE BARRIER
○○○

41 mm

SCREW FIX

DIMENSIONS



COLORS



A1

0,93 m 5905167033814

1,86 m 5905167033616

2,79 m 5906735612035



A2

0,93 m 5905167033821

1,86 m 5905167033623

2,79 m 5906735612042



A3

0,93 m 5905167686348

1,86 m 5905167686355

2,79 m 5905167686362

📦 0,93m - 12 pcs. / 1,86 m - 4 pcs.

SM3



SILICONE
BARRIER
○○○

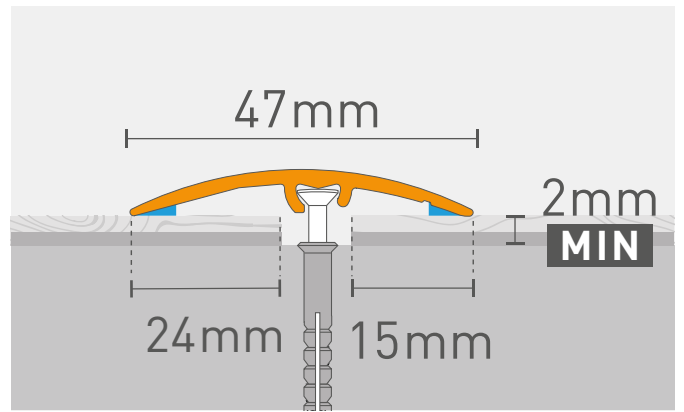
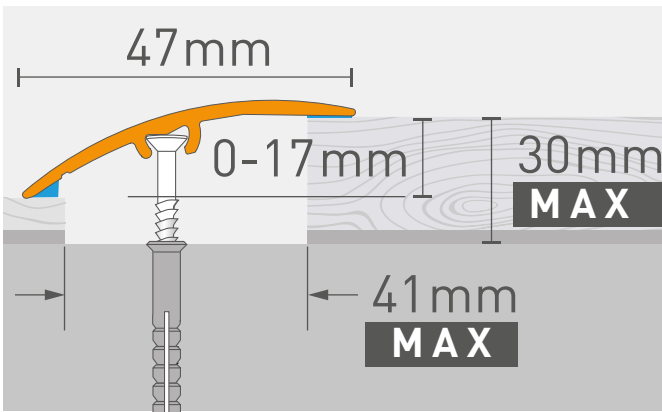
MAX
LEVELING
17 mm

MAX
DILATATION
41 mm

47 mm

SCREW FIX

DIMENSIONS



COLORS



A1
0,93 m 5905167036815
1,86 m 5905167033616
2,79 m 5906735626902



A2
0,93 m 5905167036822
1,86 m 5905167033623
2,79 m 5906735626957



A3
0,93 m 5905167686379
1,86 m 5905167686355
2,79 m 5905167686393

📦 0,93 m - 12 pcs. / 1,86 m - 4 pcs.

PR4



MAX
DILATATION
42 mm

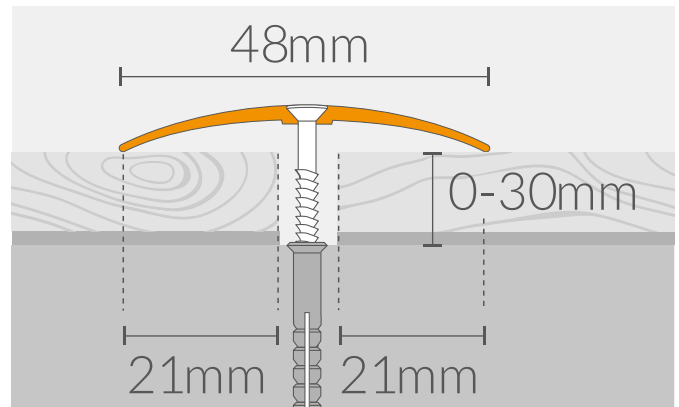
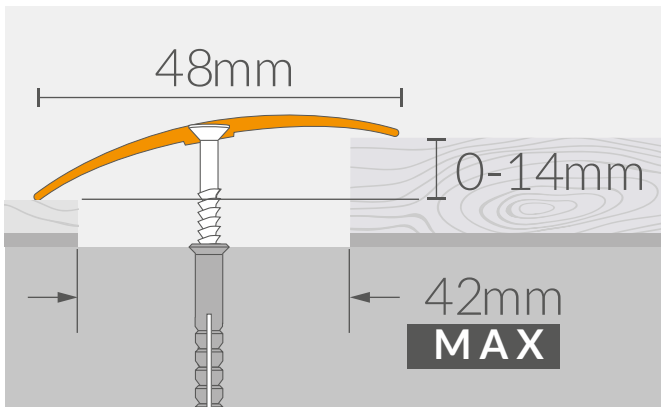
MAX
LEVELING
14 mm

PROFI
SOLUTION

48 mm

SCREW FIX

DIMENSIONS



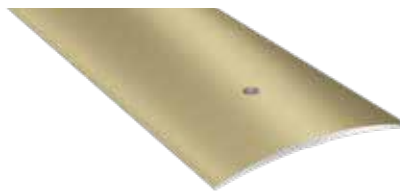
COLORS



A1

0,93 m 5906735611366

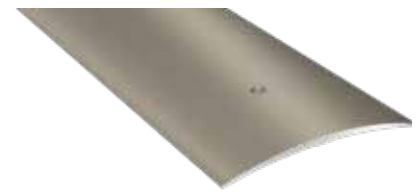
1,86 m 5906735611397



A2

0,93 m 5906735611373

1,86 m 5906735611403



A3

0,93 m 5905167686546

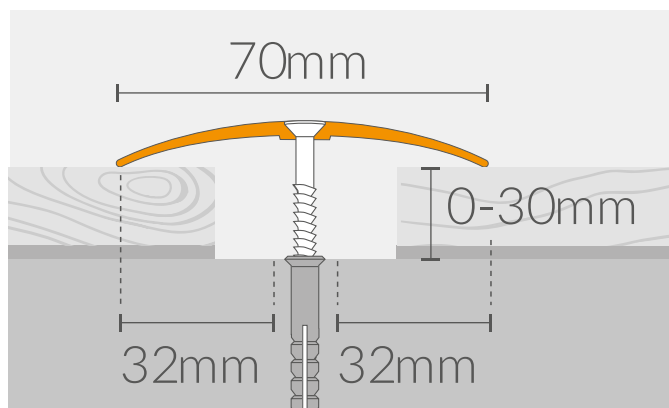
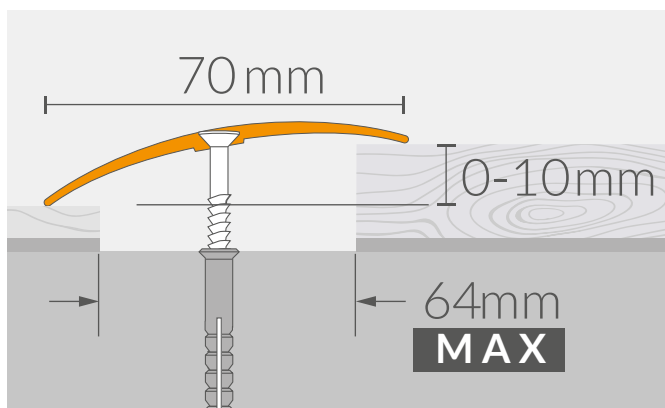
1,86 m 5905167686553

0,93 m - 12 pcs. / 1,86 m - 4 pcs.

PR10



DIMENSIONS



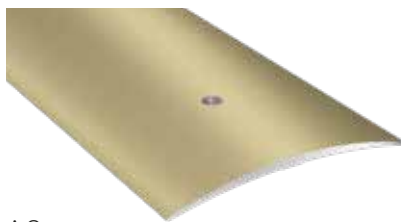
COLORS



A1

0,93 m 5905167767788

1,86 m 5905167767818



A2

0,93 m 5905167767795

1,86 m 5905167767825



A3

0,93 m 5905167767801

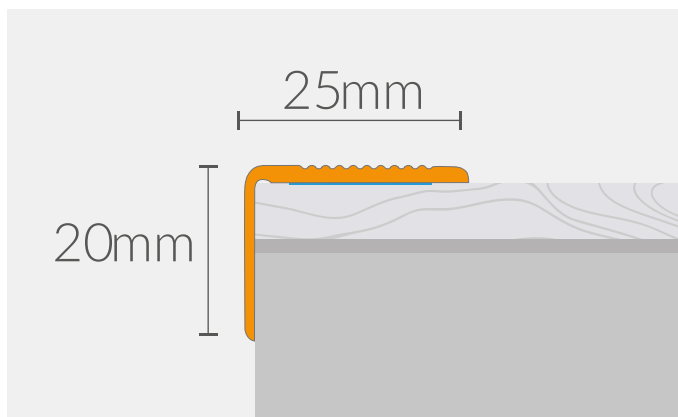
1,86 m 5905167767832

0,93 m - 8 pcs. / 1,86 m - 4 pcs.

CS2



DIMENSIONS



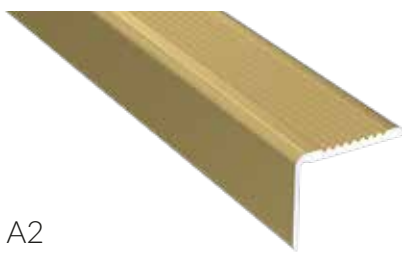
COLORS



A1

1,20 m

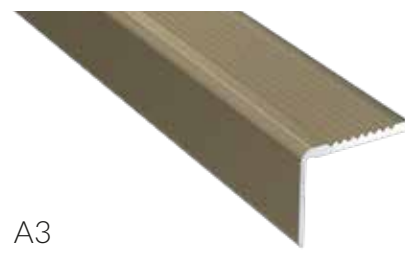
5906735611366



A2

1,20 m

5906735611373



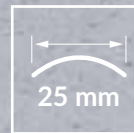
A3

1,20 m

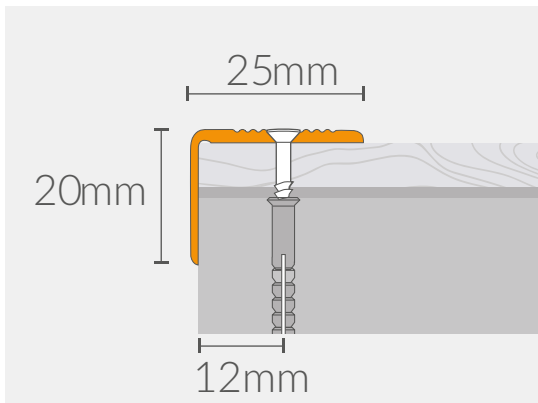
5905167686546

 4 pcs.

PS2



DIMENSIONS



COLORS



A1

1,20 m

5905167767962



A3

1,20 m

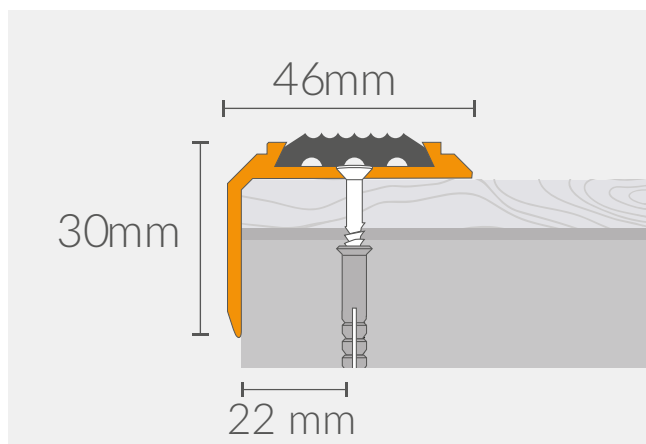
5905167767986

 4 pcs.

PS6



DIMENSIONS



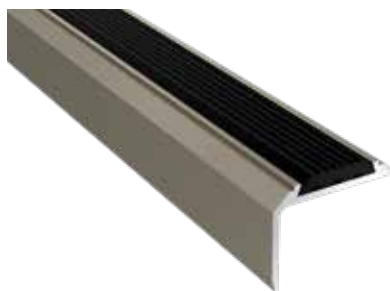
COLORS



A1

1,20 m


5905167768082



A3

1,20 m

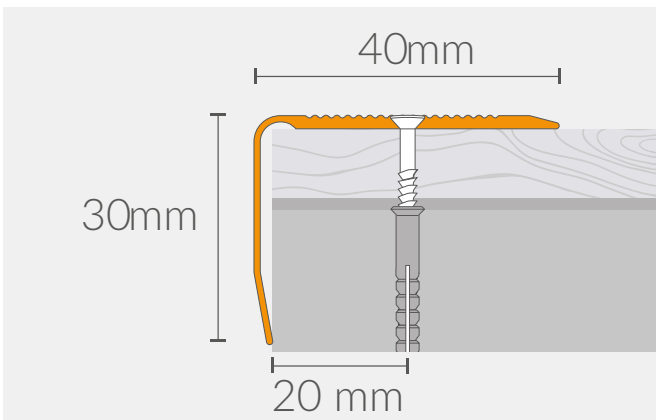
5905167768105

 4 pcs.

PS8



DIMENSIONS



COLORS



A1

1,20 m

5905167768020



A3

1,20 m

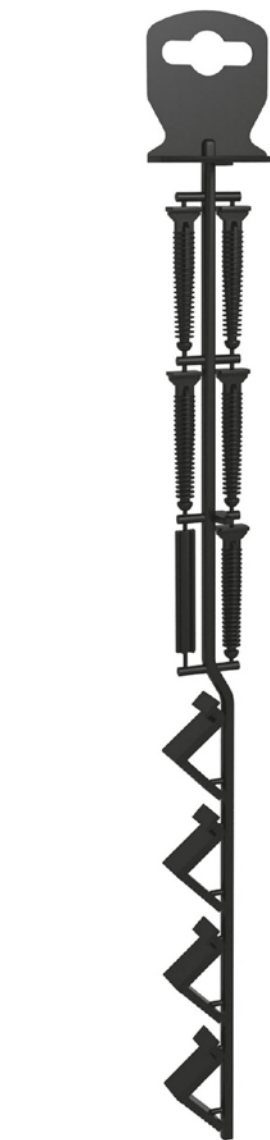
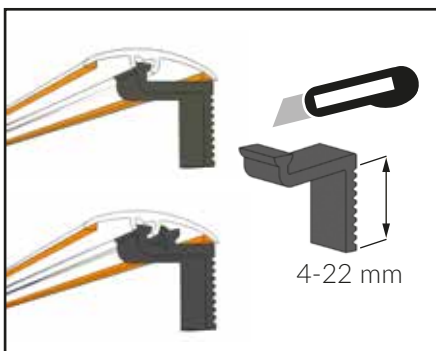
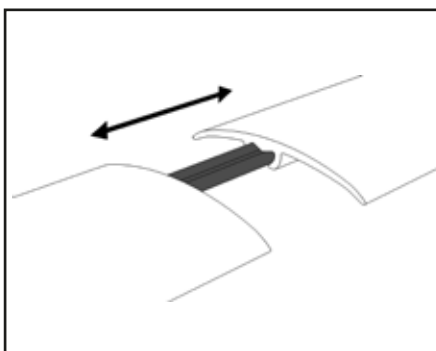
5905167768044

 4 pcs.

ACCESSORIES

SERVICE PACK

The mounting system for the slats from the COLOR SYSTEM series
EAN: 5905167827178



METAL SCREW KIT

set includes 5 metal screws + mounting pins
(universal for the COLOR SYSTEM and PRO SYSTEM series profiles)
EAN: 5905167825068



CHECK OUR COMPLEMENTARY PRODUCTS:



VINYL FLOOR

Vinyl flooring - beautiful and practical, HD Mineral Core vinyl flooring. When creating the collections of vinyl flooring, we strived to make them beautiful like wood, and at the same time practical like ceramic tiles.

At foundation of this product lies a mineral core (HD MINERAL CORE) developed in our laboratory, which is a mixture of natural minerals with modern polymers. We have also taken care of a number of properties thanks to which - we are deeply convinced of it - you will love Arbiton floors.



SKIRTING BOARDS

It is said that the devil is in the details, so pay attention to all - even the smallest - details. They constitute the strength of the whole solution, because nothing dazzles the eyes more than the finish of the arrangement that does not match the general idea or is made in a negligent manner. On the other hand, properly selected details, nuances can completely change the character of the interior design.

When it comes to floors, it is exactly the same, so before you start renovation, you should think about the elements that will ensure a stylish finish of the floor. First of all, you need to pay attention to the skirting boards - without them, any floor, no matter how beautiful, will be average at best.

UNDERLAYS

See how to choose the best support for your floor. The underlays for floor are like a coach - you cannot see him, but he supports the athlete and helps him achieve his full potential.

It works similarly in the world of flooring - a good underlay will make the panels look delightful, while a bad underlay can spoil the whole effect, even if you have the best floor panels on the market. Why there is such a discrepancy? Why is the underlay so important for panels and what to pay attention to when shopping?

All you need to do is be familiar with a few facts, and soon you will be able to judge it yourself.



The catalogue is a free of charge presentation of products of Decora S.A. and acc. to valid law it is not a commercial offer. Colors and textures of the products in pictures may differ from real ones because of limited printing technologies. Decora S.A. reserves its right to alter availability of the products on some markets and at some distributors. The products included in the catalogues do not pose a complete offer of Decora S.A.



Decora S.A.
ul. Prądzińskiego 24a
63-000 Środa Wlkp., Polska
tel.: +48 61 28 64 200
fax: +48 61 28 54 975
e-mail: sales@decora.pl
www.arbiton.com

